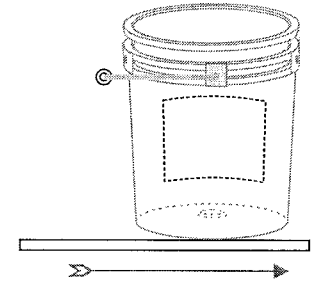
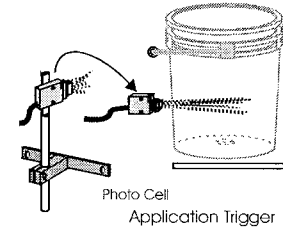
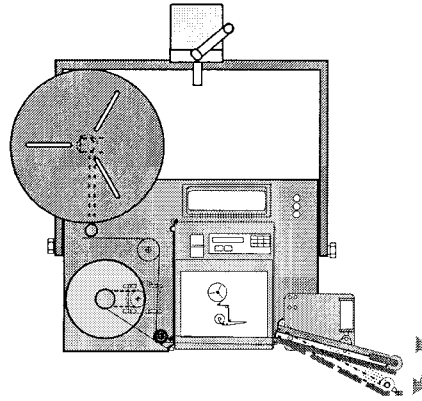
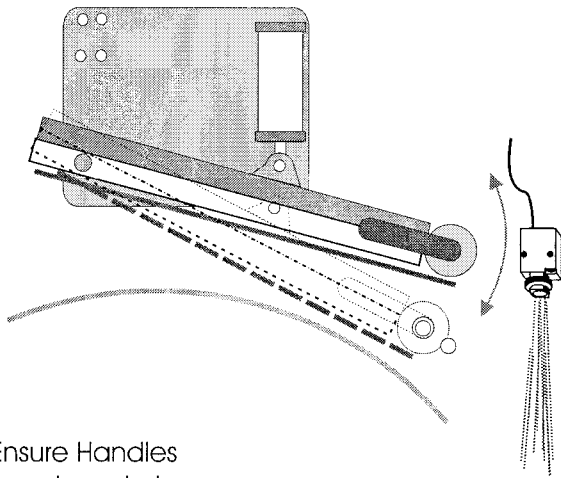
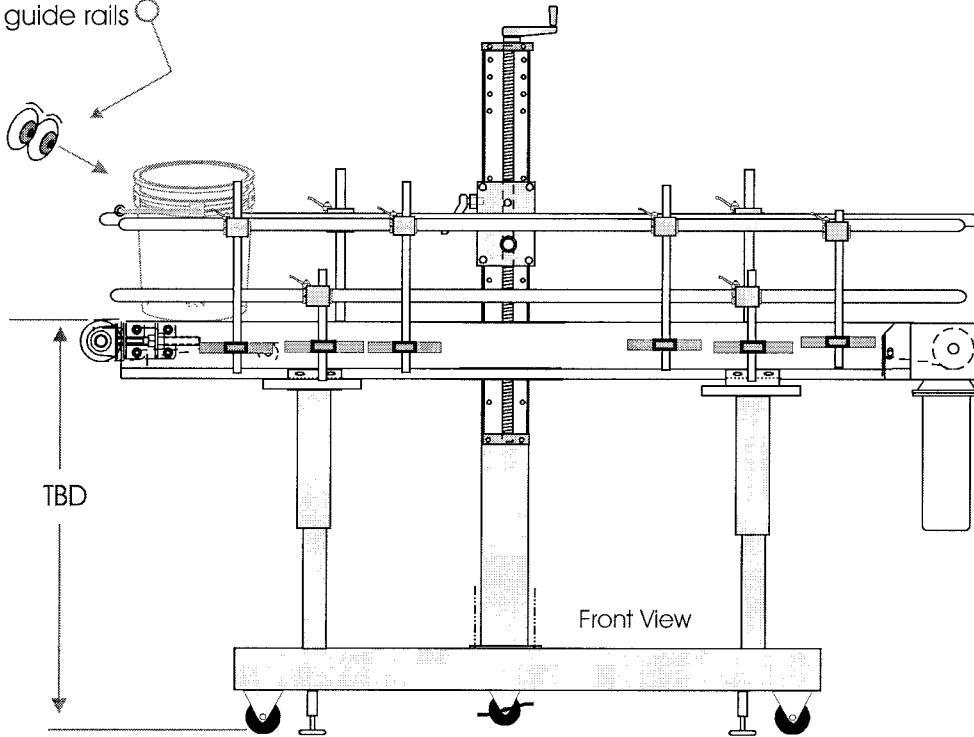


ITEM I.D./DESC.	ORDERED	SHIPPED	UNIT	PRICE	NET	TX
250 PRINTER 01	1.000	1.000	EA	19447.00	19447.00	N
250 PRINTER APPLICATOR SYSTEM						
IDT 250 PRINTER TO INCLUDE:						
63000			250 IDT BASE UNIT			
SERIAL# 2501005002188L						
EMSERIAL# AS031005/039						
172E-L01-0000			ZEBRA FAX 4 172 SER/PAR			
FESERIAL# 05C05390004						
62501			250 TO ZEBRA PATCH CABLE			
62870-5.5WX8.5			PIVOTING WIPE ON ASSEMBLY			
W/ 5.5"W x 8.5"L VACUUM GRID						
62380			PROXIMITY PRODUCT DETECTOR			
W/CONNECTOR						
PROXIMITY PRODUCT DETECTOR						
MOUNTING KIT						
TS4000			YARD ARM TRAVERSING W/CRANK			
& RAISING MECHANISM						
TS3000			SLIDE BASE ASSY			
CUSTOM			INTEGRATED CONVEYOR SYSTEM			
TO SUPPORT 6" L 10" BELT 12"						
OAW GUIDE RAILS AS REQUIRED,						
PROXIMITY PRODUCT DETECTOR						
MOUNTING KIT & STATIC TOP						
HOLD DOWN ASSEMBLY						
Deposit received Wire Transfer 8/12/05						9723.50-

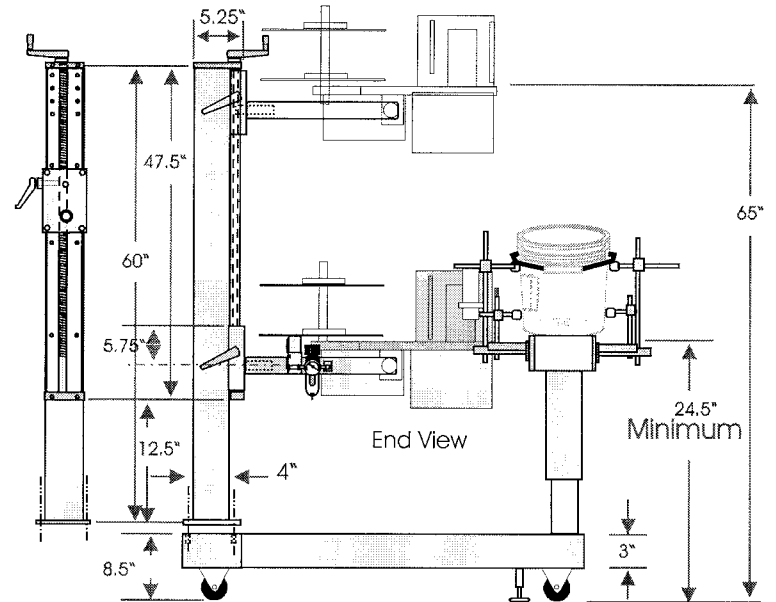
REMIT TO: <b>ID TECHNOLOGY</b> P.O. BOX 73419 CLEVELAND, OH 44193	TX-ERE SAL	SUBTOTAL	9723.50
		TAX	0.00
		PAYMENTS	
		TOTAL	9723.50



Ensure Handles are placed above guide rails



TBD



End View

24.5" Minimum

Drawing is a conceptual design only and not to scale. Actual system may vary to allow for engineering changes and revisions.